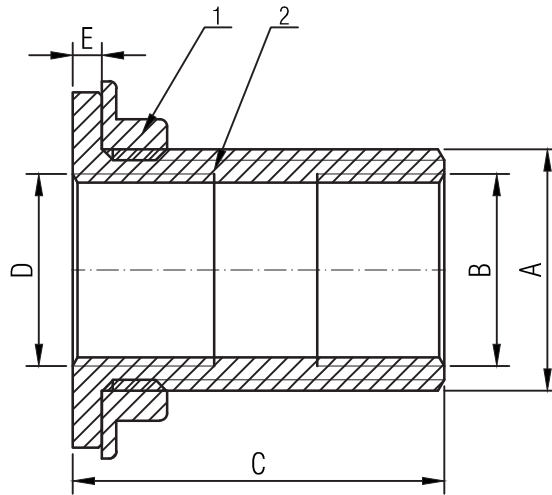


art. 2007



art. 2007	Dimenze	A	B	C	D	E	Hmotnost (g)
	1/2"X3/8"	G1/2"	G3/8"	48.8	G3/8"	4	100
	3/4"X1/2"	G3/4"	G1/2"	52.7	G1/2"		159
	1"X3/4"	G1"	G3/4"	51.2	G3/4"		205